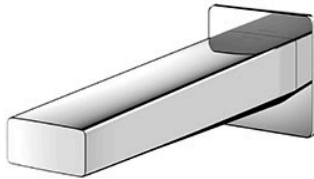


GB Series
Bath Spout



Features

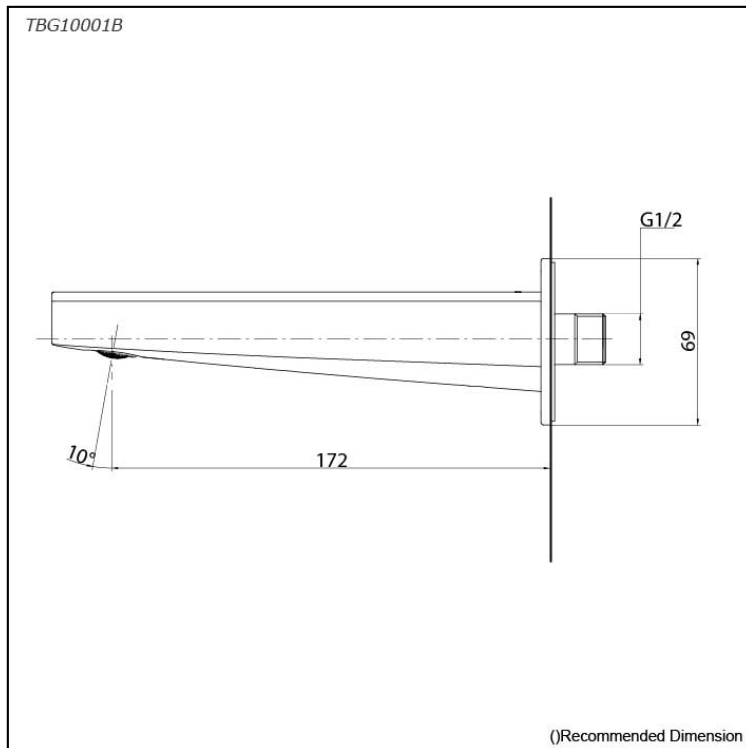
- Stately squareness and beveled edges imbue a space with dignity
- Gently beveled with balanced highlights accentuate the shape of the gradually narrowing spout
- High corrosion resistance plating
- Easy Installation and Usage

Specifications

Finish: Chrome
Material: Brass
Water Pressure: 0.05MPa~1.0MPa

Parts description

- **TBG10001B**
Bath Spout



Flow Rate

TBG10001B

