

DUE113UK (DC)  
DUE113UE (AC)

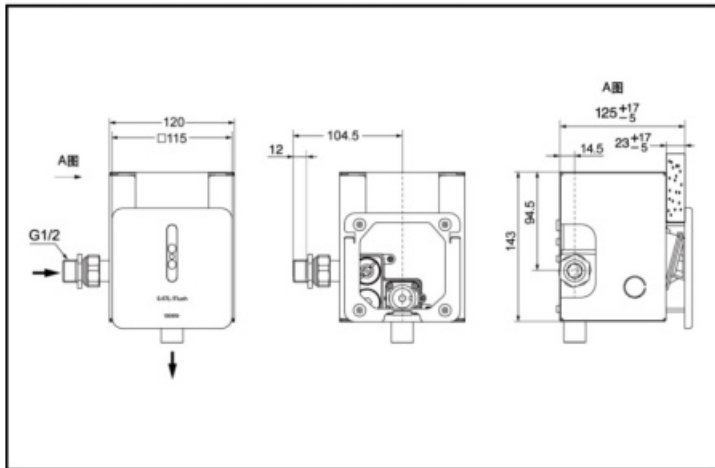


Reduce  
water

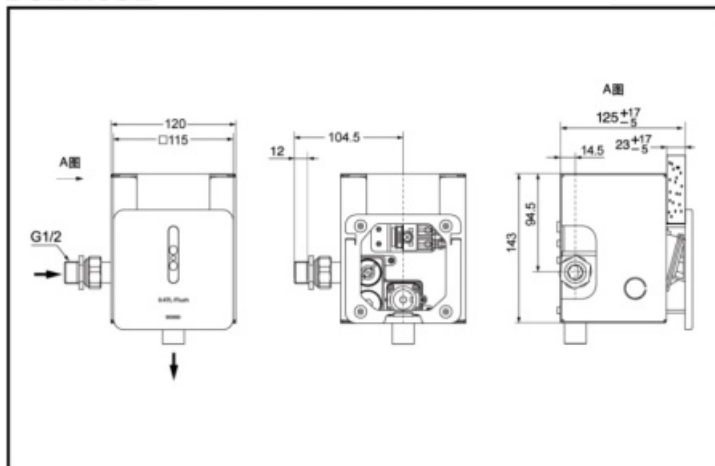


Auto  
Functions

### DUE113UK In-wall Sensor Urinal Flush Valve



### DUE113UE In-wall Sensor Urinal Flush Valve



\*TOTO(CHINA) CO.,LTD. All rights reserved.

## FEATURES

- In-wall resin panels.
- Touchless sensing operation.
- AC and DC two types available.

## SPECIFICS

Size: 115\*115mm

Water Supply:

0.1MPa(dynamic pressure) ~

0.75MPa(static pressure)

Environment Temperature:

0~55°C

Water Use: 0.3~0.47L

Power: DUE113UK (DC)

DUE113UE (AC)

Sensing Distance:

Within 800mm in front of the sensor